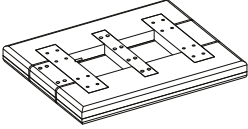
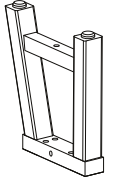
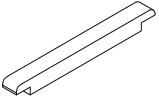
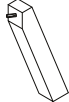
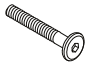




## Parts & Hardware

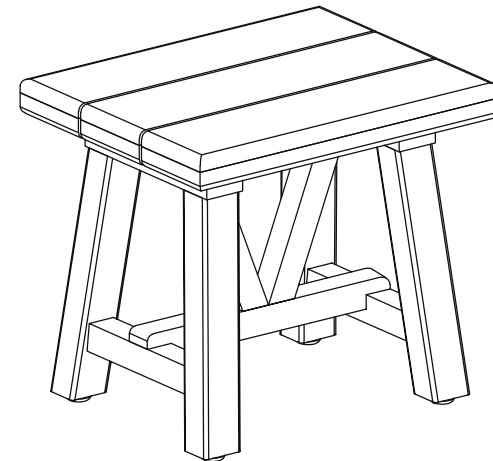
A		x 1
B		x 2 PC
C		x 1
D		x 2
E		x 8 M8 x 60mm
F		x 4 M6 x 50mm
G		x 1 M4

# Garden Trading®

## Chilford Solid Wood Stool Assembly Instructions

Please read through these instructions and ensure they are kept for future reference.  
All parts and hardware are listed on the back of this guide.

**WHEN ASSEMBLING THIS PRODUCT PLEASE PLACE PARTS ON A SOFT SURFACE TO AVOID DAMAGE OR SCRATCHES.**



### Care Instructions

Dust regularly with a clean dry cloth.

Wipe up any spills immediately with a damp cloth and then dry the surface with a clean dry cloth.

Never use abrasive or corrosive cleaning agents.

Avoid placing furniture on uneven surfaces.

Do not drag furniture, always lift it to move.

To protect it from the elements, we recommend storing outdoor furniture in a cool, well-ventilated shed over the winter months. Indoors, wooden furniture should not be positioned directly next to a heat source such as a radiator, fireplace or in constant direct sunlight.

Do not use power tools to assemble.

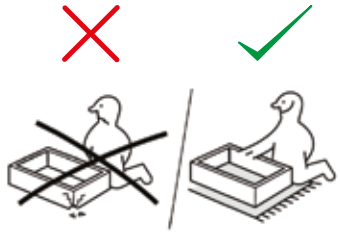
Two-person assembly is advised.

# Garden Trading®

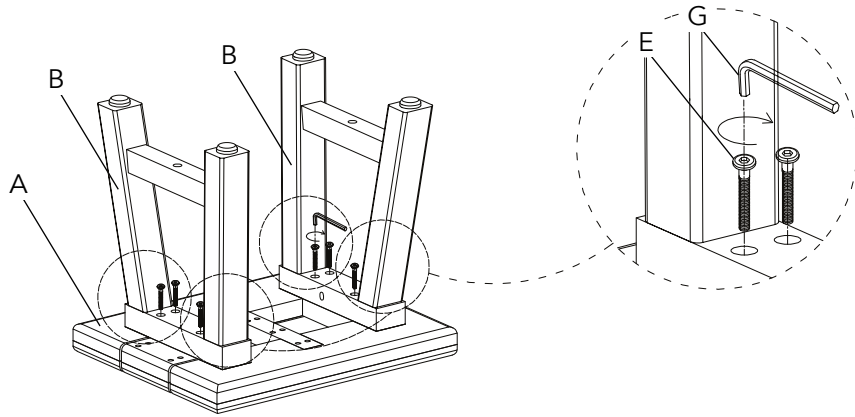
[gardentrading.co.uk](http://gardentrading.co.uk)

[customerservices@gardentrading.co.uk](mailto:customerservices@gardentrading.co.uk)

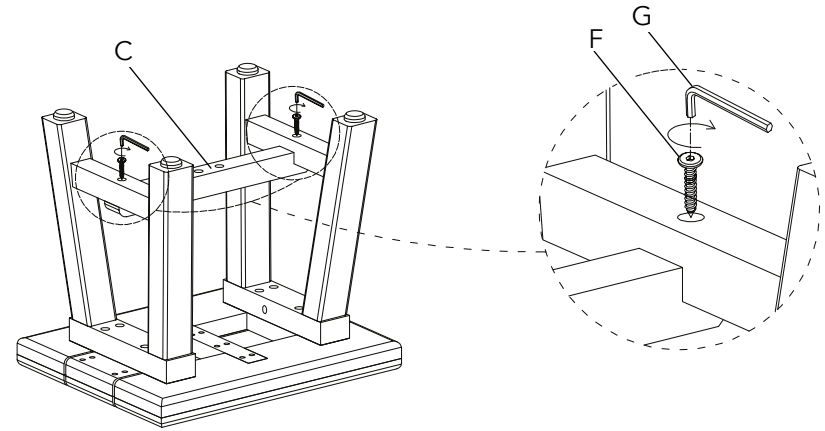
TGTC, Hargreaves Road, Groundwell Industrial Estate, Swindon, SN25 5AZ



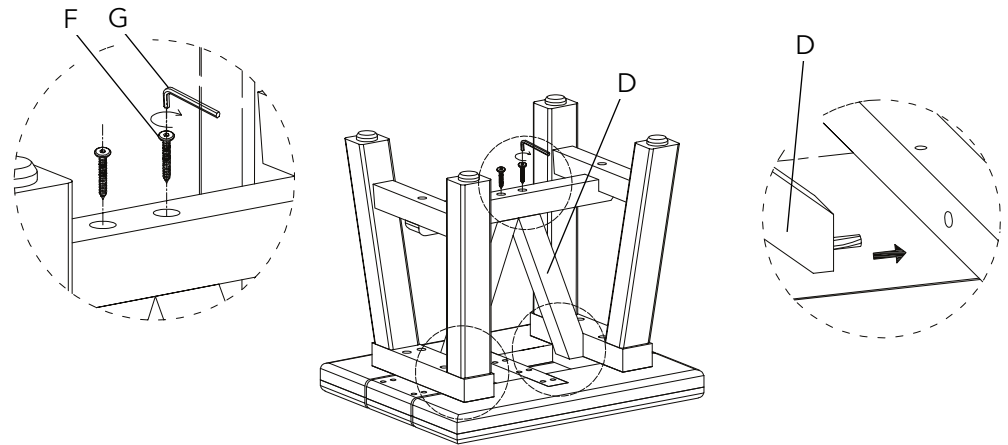
①



②



③



MAX SEATER:  
110 KGS



IILFCH83