



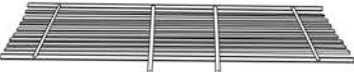




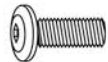



## Bench Parts & Hardware

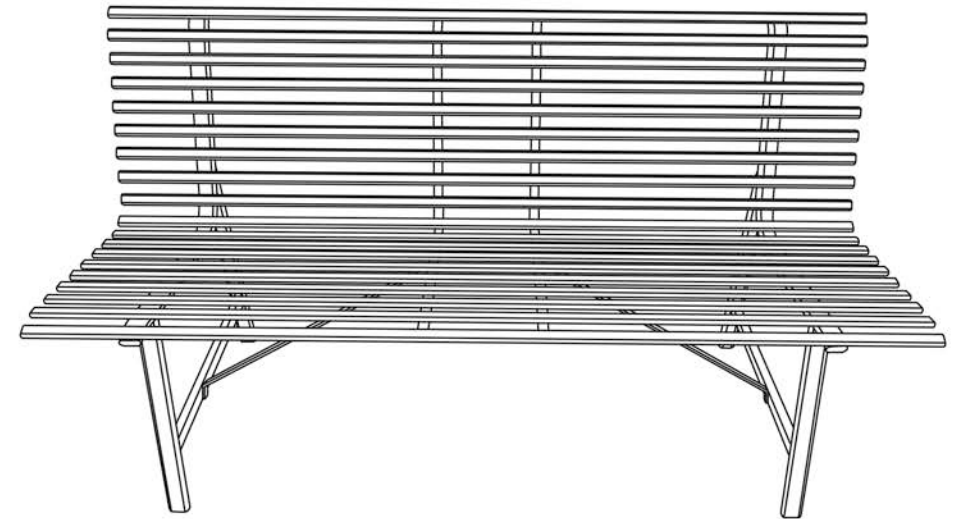
A		x 1 PC	J		x 1 PC
B		x 2 PC	K		x 1 PC
C		x 1 PC			
D		x 1 PC			
E		x 12 PC M8*30			
F		x 18 PC			
G		x 2 PC M8*35			
H		x 4 PC M8*16			
I		x 2 PC M8			

Do not fully tighten the bolts until all parts are in place.

# Garden Trading®

## Richmond Bench Assembly Instructions

Please read through these instructions and ensure they are kept for future reference. All parts and hardware are listed on the back of this guide.



### Care Instructions

We recommend assembling your bench on a non-abrasive surface such as a dust sheet or the original cardboard packaging.

Please avoid positioning your furniture on uneven surfaces.

To avoid fading over time, do not expose your furniture to direct sunlight.

We advise against the use of abrasive or corrosive cleaning agents as discolouration may occur.

To prevent any damage to your bench, we advise against the use of power tools to assemble.

Please do not drag the furniture, we recommend to always lift it to move, avoiding any breakages.

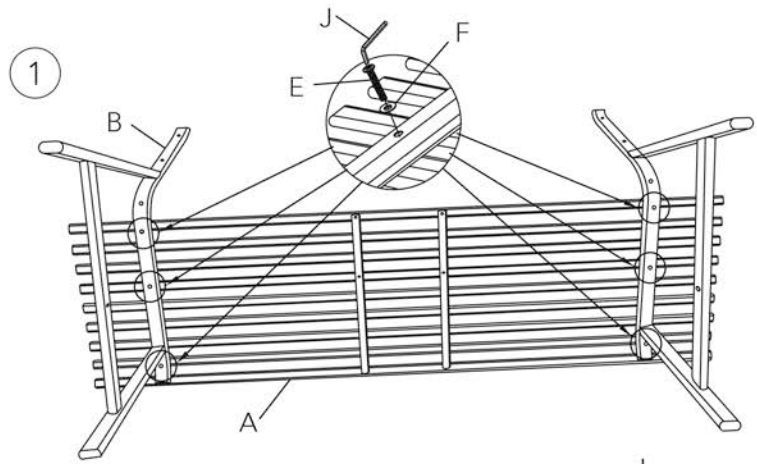
Whilst suitable for indoor and outdoor use, we recommend storing your furniture inside or undercover to preserve its condition during the winter months.

# Garden Trading®

[gardentrading.co.uk](http://gardentrading.co.uk)

[customerservices@gardentrading.co.uk](mailto:customerservices@gardentrading.co.uk)

TGTC, Hargreaves Road, Groundwell Industrial Estate, Swindon, SN25 5AZ



Do not fully tighten the bolts until all parts are in place.

