
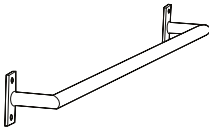




Parts & Hardware

A		x 1 PC
B		x 2 PC
C		x 10 PC
D		x 8 PC

Garden Trading®

Walcote Kitchen Island | Natural Assembly Instructions

Please read through these instructions and ensure they are kept for future reference.
All parts and hardware are listed on the back of this guide.



Care Instructions

This product is made from Bayur wood. Wood is a natural material and natural colour variances may occur. To prolong the life of your Kitchen Island, we recommend you regularly treat the wood using a treatment oil. To keep your Kitchen Island clean, we advise wiping clean with a damp cloth in the direction of the grain. In case of any spillages, immediately wipe down the affected area as the wood is porous and can cause stains. Always use place mats and coasters, to prevent scratching, heat rings and water marks. We recommend keeping your Kitchen Island away from heat sources like radiators – plus moisture – to prevent warping. To preserve its condition and avoid fading over time, avoid exposing your Kitchen Island to direct sunlight. We advise against the use of abrasive or corrosive cleaning agents as discolouration may occur and cause the wood to crack. Please do not drag the furniture, we recommend to always lift it to move, avoiding any breakages.

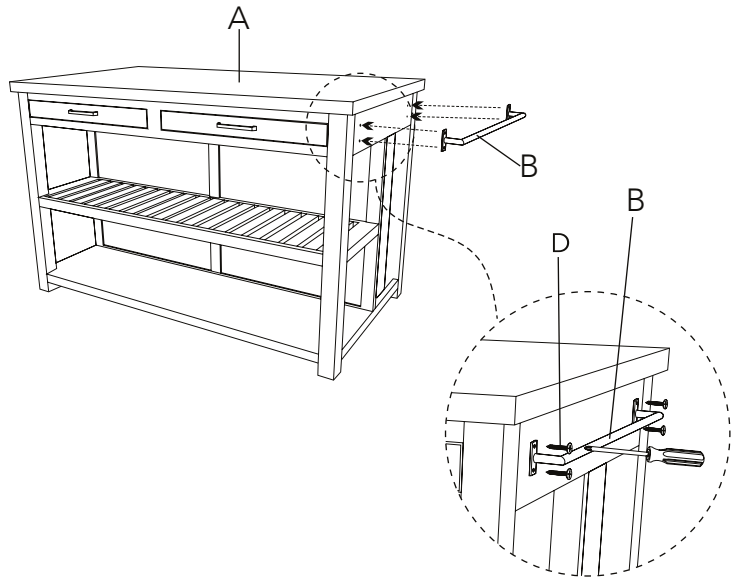
Garden Trading®

gardentrading.co.uk

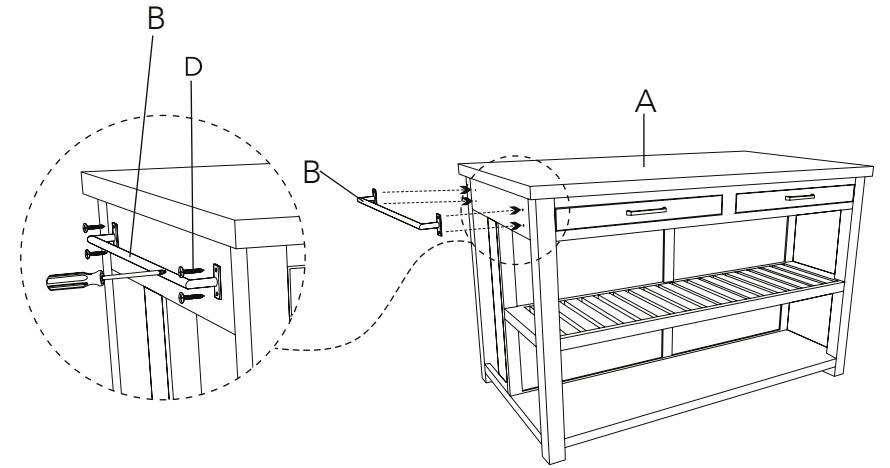
customerservices@gardentrading.co.uk

TGTC, Hargreaves Road, Groundwell Industrial Estate, Swindon, SN25 5AZ

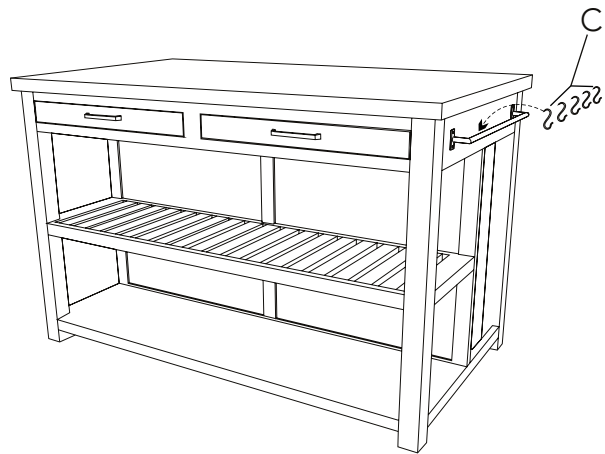
①



③



②



④

