

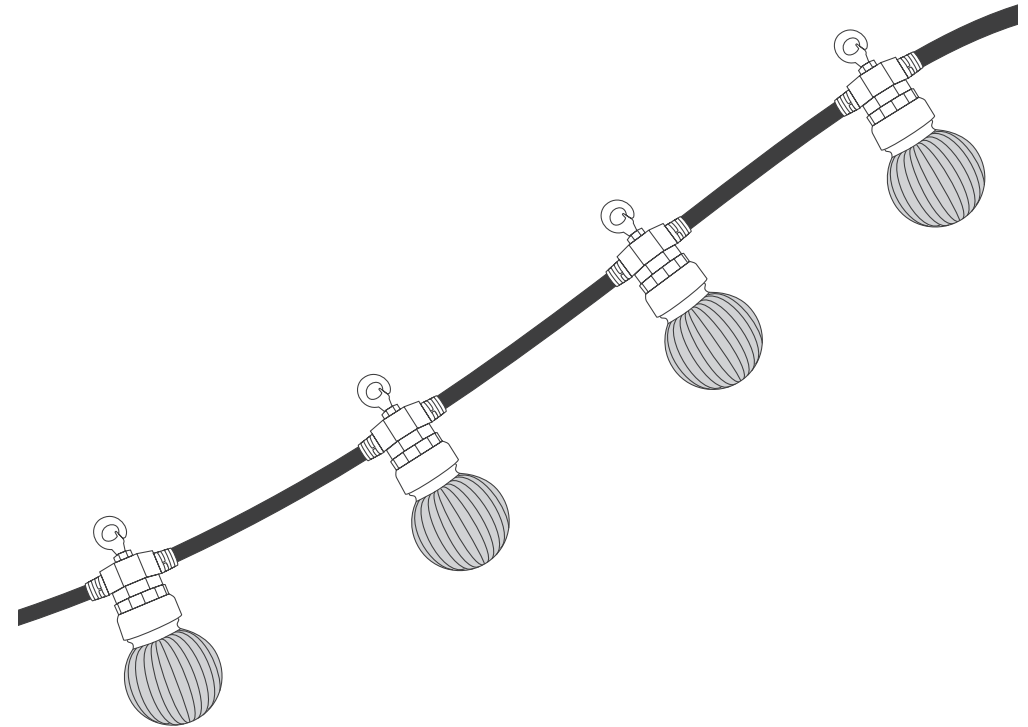
Extra Information/Notes

1. Working time will be affected when there is a lack of sunshine e.g. cloud cover or shorter days during winter months
 2. We recommend cleaning the solar panel periodically with a microfibre cloth (not included).
Don't use abrasive materials as this may affect functionality and finish
 3. Please keep these instructions for future use
 4. Waste electrical products should not be disposed of with household waste
- Please recycle where facilities exist. Check with your Local Authority or retailer for recycling advice.

Garden Trading®

Solar Smoked Festoon Lights, Linear Installation Instructions

Please read through these instructions and ensure they are kept for future reference.
Bulb included: non-replaceable LED bulbs.



Safety Information

1. Do not alter, dismantle or change anything within the solar light, as doing so will void the warranty.
2. Do not expose cells or batteries to heat, fire or mechanical shock.
3. In the event of the cell or battery leaking, do not allow liquid to come into contact with eyes or skin. If contact has been made, wash the affected area with water and seek medical advice.
4. Seek medical advice immediately if a cell or battery has been swallowed.

Technical Data

- Rechargeable NiMH AA battery
- Working time: 6 hours in intermittent mode
- 8 Lighting effect modes

Customer Services:

www.gardentrading.co.uk

+44 (0)1993 845 559

customerservices@gardentrading.co.uk

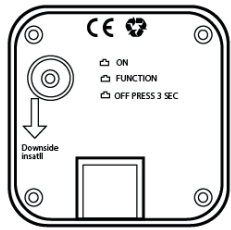
Opening Hours: Monday - Friday: 8.30am - 5.30pm (Friday close at 5.00pm)

The Garden Trading Company Ltd, Carterton South Industrial Estate, Black Bourton Road, Carterton, Oxon, OX18 3EZ

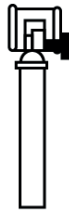
Garden Trading®

Installation

- Please read through these instructions carefully before installation.
 - This fitting is IP44 rated for outdoor use.
- Please ensure the light is fitted in a position with enough direct sunlight and is not obscured by plants, roof etc.
 - Switch off when not in use for prolonged periods of time.
- Maintain minimum distance of 1.5m from other sources of light, as they may trigger the solar panel and stop the string lights from illuminating.



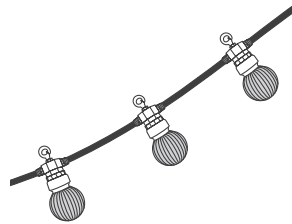
A



B



C



D

- | | |
|-------------------------------|-------------------|
| A. Solar Panel Unit | C. Ground Stake |
| B. Adjustable Solar Panel Arm | D. Festoon Lights |

Operation

- Remove battery isolation tag before use by gently pulling it
 - Remove protective film from the solar panel
- Please the solar panel in good sunlight for 2 days to ensure that the battery is fully charged, with the light in 'ON' mode
- Press the mode button located on the underside of the solar panel to cycle through the lighting effect modes
 - Press and hold the mode button for 3 seconds to turn off

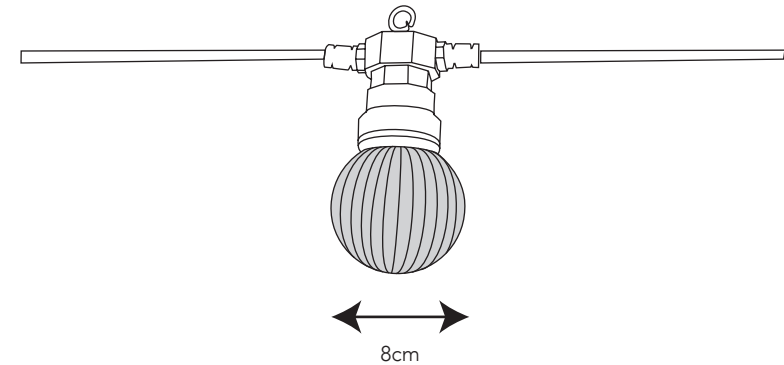
Battery Replacement

- To replace the battery, undo the four screws on the underside of the solar panel unit A to access battery compartment
 - Remove the old battery and fit the new battery ensuring that the +/- polarity markings align
- Ensure that the solar panel is exposed to good sunlight for 2 days to enable the battery to fully charge
 - Dispose of the old battery responsibly

Product Specification

Solar Festoon Lights - 10 Bulbs
 Diameter of bulb: 8cm
 Bulb spacing: 50cm
 Total Length: 7.5m

Solar Festoon Lights - 20 Bulbs
 Diameter of bulb: 8cm
 Bulb spacing: 50cm
 Total Length: 12.5m



IISOLARFESTOONLINEARSMOKED/01