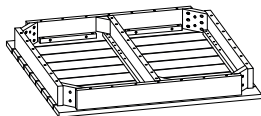







Table Parts & Hardware

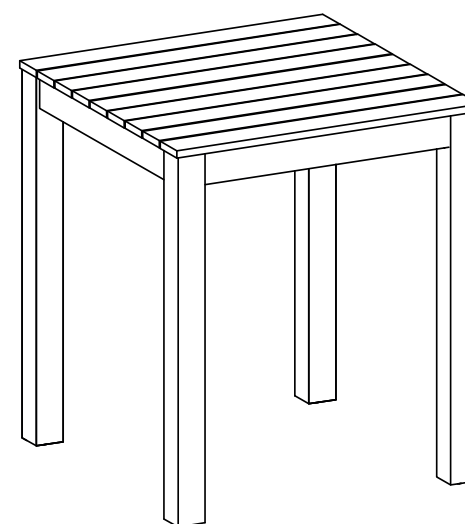
A		x 1 PC
B		x 4 PC
C	 Ø30 x Ø8 x 2mm	x 8 PC
D	 M8 x 2mm	x 8 PC
E	 M8 x 5mm	x 8 PC
F	 K13	x 1 PC

Garden Trading®

Porthallow Square Bar Table Assembly Instructions

Please read through these instructions and ensure they are kept for future reference.
All parts and hardware are listed on the back of this guide.

**WHEN ASSEMBLING THIS PRODUCT PLEASE PLACE PARTS
ON A SOFT SURFACE TO AVOID DAMAGE OR SCRATCHES.**



Care Instructions

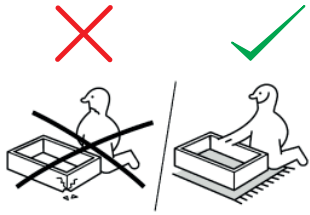
- Dust regularly with a clean dry cloth.
- Wipe up any spills immediately with a damp cloth and then dry the surface with a clean dry cloth.
- Never use abrasive or corrosive cleaning agents.
- Avoid placing on uneven surfaces.
- Do not drag furniture, always lift to move.
- We recommend storing inside over winter months.
- Do not use power tools to assemble.
- Two person assembly advised.

Garden Trading®

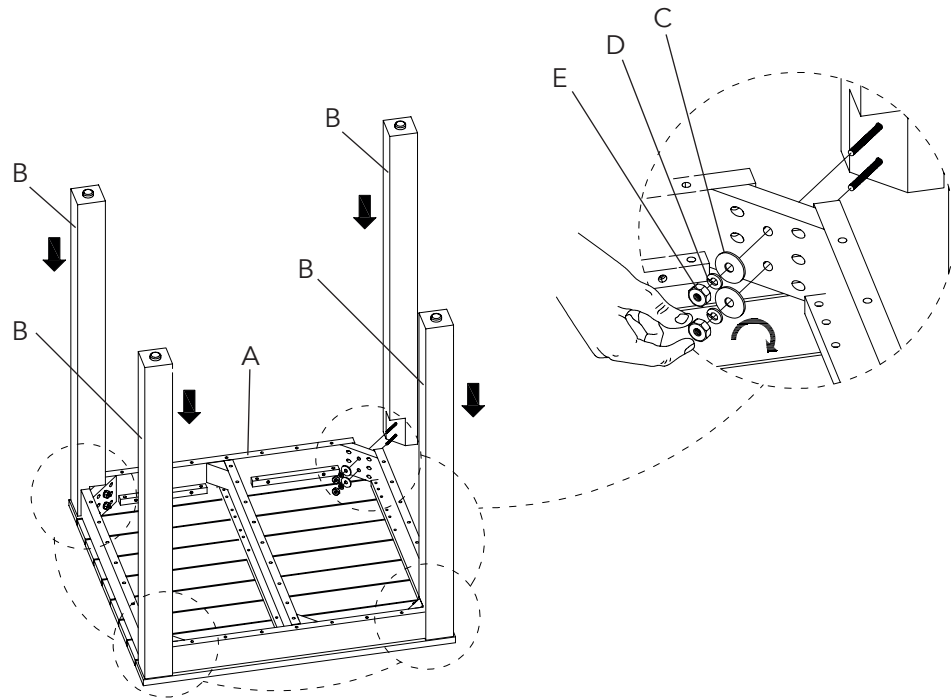
gardentrading.co.uk

customerservices@gardentrading.co.uk

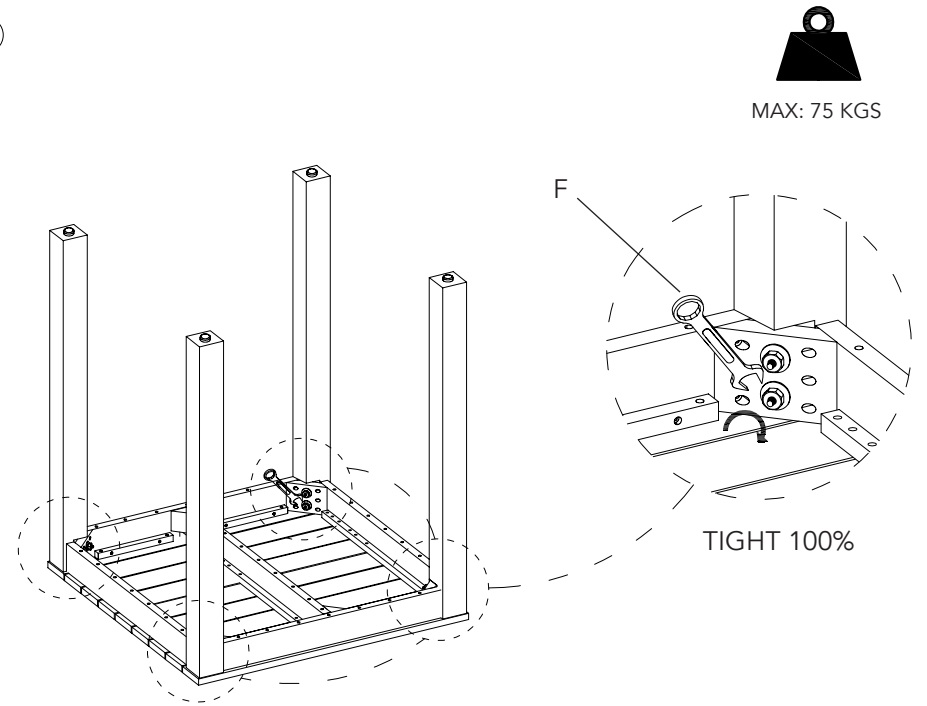
TGTC, Hargreaves Road, Groundwell Industrial Estate, Swindon, SN25 5AZ



①



②



WARNING
STRICTLY 2 PERSON LIFT